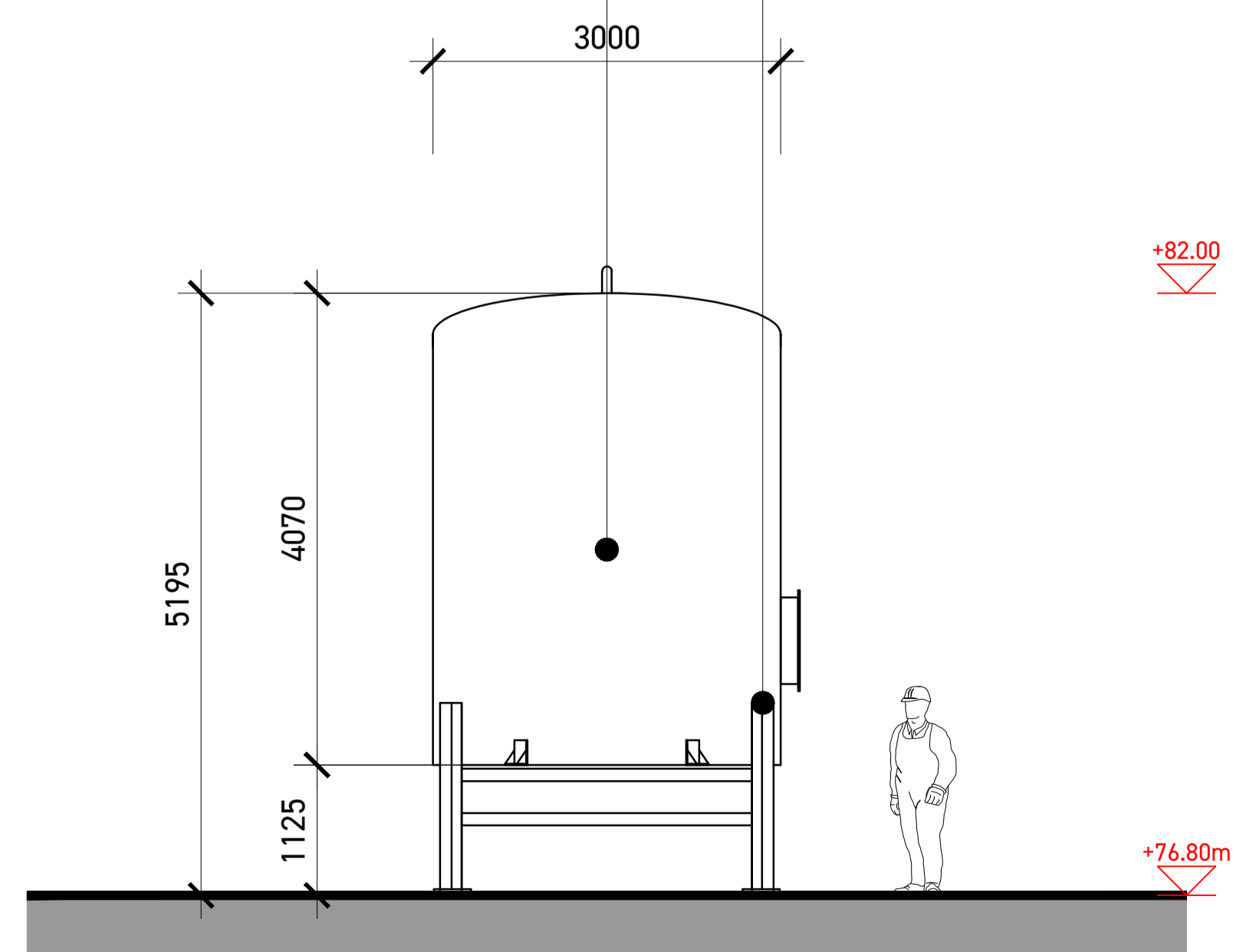
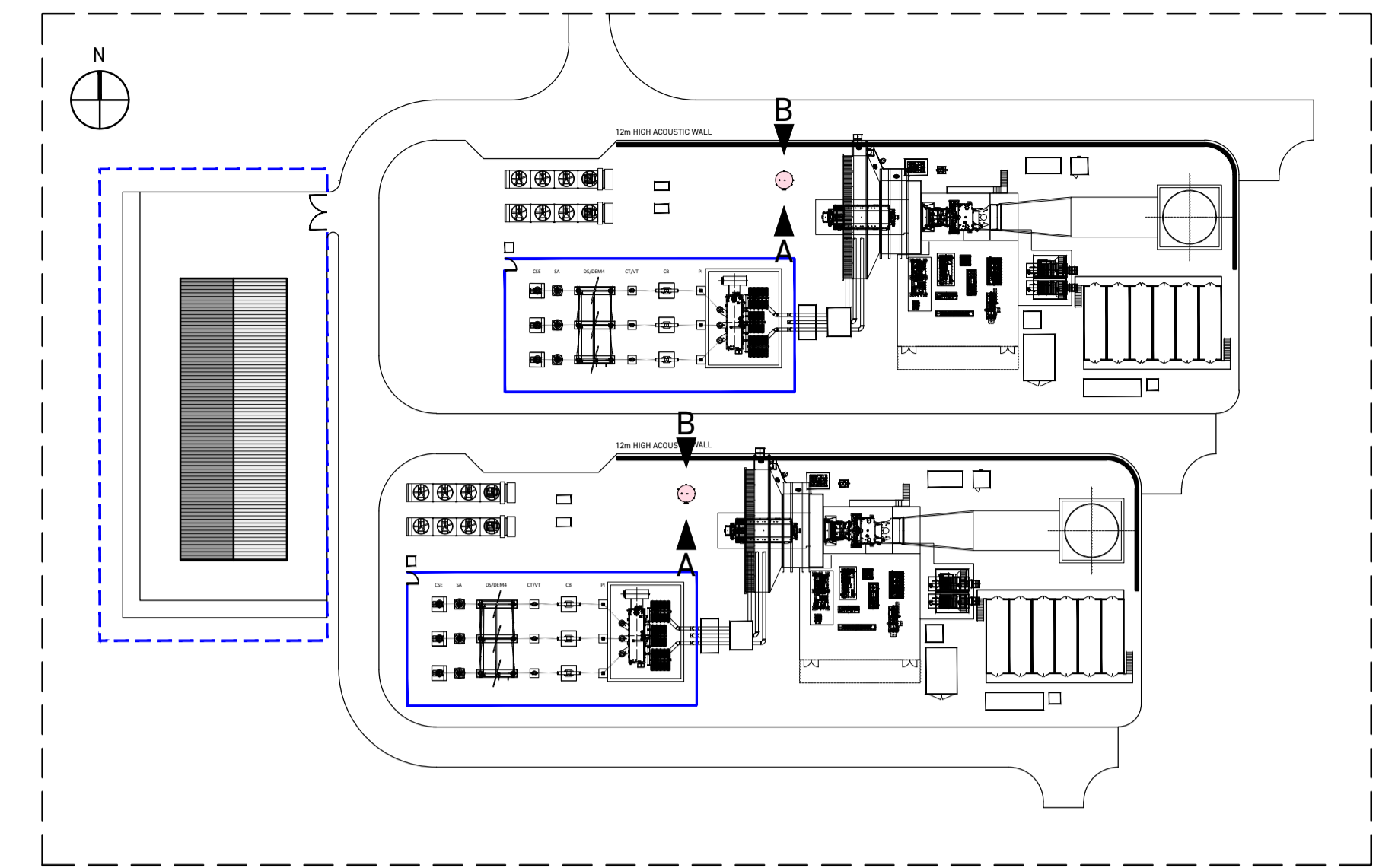


ELEVATION A TO SOUTH



ELEVATION B TO NORTH



KEY PLAN (NTS)

MOULDED POLYETHYLENE (GREEN)

STRUCTURAL STEEL FRAME

- NOTES -

MOULDED POLYETHYLENE STORAGE TANK, UV STABILISED FOR OUTDOORS (GREEN)

Rev	Description	Date
-----	-------------	------

PLANNING

Client
Kilshane Energy Ltd
Project
POWER STATION
Kilshane, Dublin 11
Date
December 2025
Scale
1:50 @ A1

Drawing
DEMIN. WATER TANK
PLAN & ELEVATIONS

Job Nr	Drawing Nr	Rev
165	PL.K.01	

